

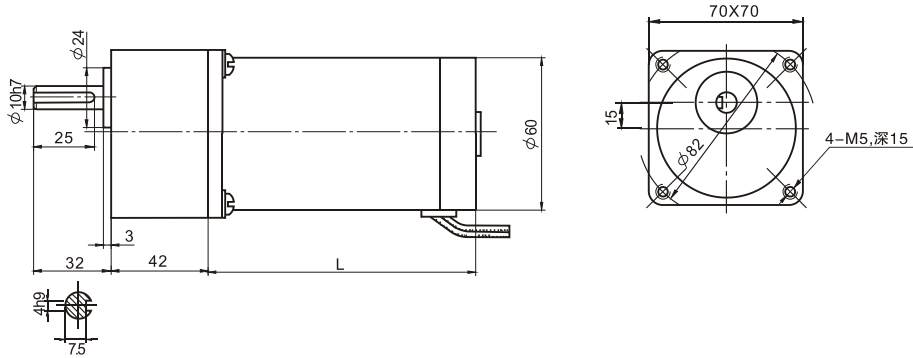
# 70JB80K / 6075 永磁直流齿轮减速电机 70JB80K/6075PM DC GEAR MOTOR

**70mm 80K** 齿轮减速  
70mm80K PLANETARG GEAR

**新产品!** 大扭矩、低噪音产品!

Nao Product! String torque and low noise product!

## ● 外形和安装尺寸 Dimensions



## ● 电动机主要技术参数 Motor Technical Data

电机型号 TYPE	额定电压 Rated voltage VDC	空载转速 No-load speed r/min	空载电流 No-load current A	额定转速 Rated speed r/min	额定转矩 Rated torque g.cm	输出功率 Output power W	额定电流 Rated current A	堵转转矩 Stall torque kg.cm	堵转电流 Stall current A	电机长度 length L mm
6075-2420	24	2000	0.3	1500	350	5	0.8	1.9	2.4	77
6075-2430	24	3000	0.4	2500	400	10	1.1	2.6	5.0	77
60105-2420	24	2000	0.32	1550	1250	20	1.6	5.5	6.0	107
60105-2430	24	3000	0.40	2500	1200	30	2.2	7.2	10.8	107

可以制造12VDC的产品，转速、转矩指标与24VDC基本一致。

We can produce products of 12VDC. The index of rotating speed and torque is consistent with 24VDC.

## ● 齿轮减速电机主要技术参数 Gear motor Technical Data

### 70JB80K/6075(60ZY75)

电机配置 Motor type	Motor type	70JB80K/6075-2420					70JB80K/6075-2430				
		75	90	100	120	150	75	90	100	120	150
减速比 Reduction ratio		75	90	100	120	150	75	90	100	120	150
减速级数 Number of gear trains		4	4	4	4	4	4	4	4	4	4
空载转速 No-load speed r/min		27	22	20	17	13	40	33	30	25	20
额定转速 Rated speed r/min		20	17	15	12	10	33	28	25	21	17
额定转矩 Rated torque kg.cm		17	21	23	42	50	20	24	26	31	50
最大瞬间允许负载 Max. permissible load in a short time	kg.cm	160	160	160	160	160	160	160	160	160	160

### 70JB80K/60105(60ZY105)

电机配置 Motor type	Motor type	70JB80K/60105-2420							70JB80K/60105-2430						
		50	60	75	90	100	120	150	50	60	75	90	100	120	150
减速比 Reduction ratio		50	60	75	90	100	120	150	50	60	75	90	100	120	150
减速级数 Number of gear trains		3	3	4	4	4	4	4	3	3	4	4	4	4	4
空载转速 No-load speed r/min		40	33	27	22	20	17	13	60	50	40	33	30	25	20
额定转速 Rated speed r/min		33	28	22	19	17	15	12	50	43	34	29	27	23	18
额定转矩 Rated torque kg.cm		40	40	50	50	50	50	50	40	40	50	50	50	50	50
最大瞬间允许负载 Max. permissible load in a short time	kg.cm	80	80	160	160	160	160	160	80	80	160	160	160	160	160